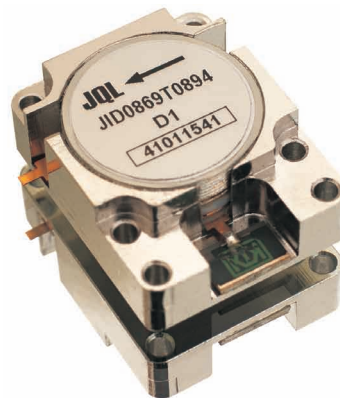


Drop-in Isolators

- Broad Selection of Frequency and Bandwidth (0.3Ghz-18Ghz, from 3% to Full Bandwidth)
- Wide Variety of Packages
- Military, Space and Commercial Applications
- High Power Handling Available
- Attenuator Option Available
- High Typical Isolation Above 25dB
- Low Typical Insertion Loss Below 0.3dB
- Wide Operation Temperature Range
- Custom Design Available Upon Request (see select-a-frequency section)



NARROWBAND DROP-IN ISOLATOR

FREQUENCY (GHz)		MODEL	ISOLATION	INS LOSS	VSWR	OPERATING	PWR HANDLING	SIZE L*W*H	PACKAGE
F1	F2	NUMBER	(dB) MIN	(dB) MAX	MAX	TEMP(°C)	FWD/REV (W)	(mm)	CODE
0.380	0.450	JID0380T0450G6	19	0.40	1.25	-15~+60	200/150	44*57.5*16	ID01
0.380	0.450	JID0380T0450G6	19	0.40	1.25	-15~+60	100/60	44*54*16	ID02
0.420	0.450	JID0420T0450G15	23	0.40	1.20	-15~+60	200/150	44*57.5*16	ID01
0.420	0.450	JID0420T0450G6	25	0.30	1.20	-15~+60	100/60	44*54*16	ID02
0.850	0.875	JID0850T0875S6	23	0.35	1.20	-30~+70	100/60	25.4*31*6.8	ID08
0.869	0.894	JID0869T0894G1	25	0.35	1.20	-30~+70	60/10	20*20*8.6	ID03
0.869	0.894	JID0869T0894S6	25	0.30	1.20	-30~+70	100/60	25.4*31*6.8	ID08
0.869	0.894	JID0869T0894G1-B	25	0.30	1.20	-30~+70	60/10	25.4*25.4*12	ID09
0.925	0.960	JID0925T0960G1	25	0.35	1.20	-30~+70	60/10	20*20*8.6	ID03
0.925	0.960	JID0925T0960S6	25	0.30	1.20	-30~+70	100/60	25.4*31*6.8	ID08
0.925	0.960	JID0925T0960G1-B	25	0.30	1.20	-30~+70	60/10	25.4*25.4*12	ID09
0.960	1.215	JID0960T1215G1	20	0.40	1.25	-30~+70	30/10	25.4*28.5*12	ID07
0.980	1.080	JID0980T1080G1	21	0.35	1.20	-30~+70	60/10	25.4*25.4*12	ID09
0.990	1.130	JID0990T1130G1	20	0.50	1.25	-30~+70	60/10	20*20*9.1	ID04
0.995	1.134	JID0995T1134G1	20	0.50	1.25	-30~+70	60/10	20*20*9.1	ID04
1.000	1.100	JID1000T1100G1	20	0.40	1.20	-40~+85	60/10	25.4*25.4*12	ID09
1.030	1.090	JID1030T1090G1	25	0.30	1.20	-30~+70	60/10	25.4*28.5*12	ID07
1.030	1.090	JID1030T1090S6	20	0.35	1.20	-30~+70	100/60	25.4*31.7*6.8	ID08
1.080	1.195	JID1080T1195G1	20	0.35	1.20	-30~+70	60/10	25.4*28.5*12	ID07
1.080	1.195	JID1080T1195S6	20	0.35	1.20	-30~+70	100/60	25.4*31.7*6.8	ID08
1.200	1.400	JID1200T1400G1	20	0.40	1.20	-30~+70	60/10	25.4*25.4*12	ID09
1.300	1.400	JID1300T1400G1	20	0.50	1.20	-40~+85	60/10	25.4*25.4*12	ID09
1.300	1.400	JID1300T1400G1-B	20	0.50	1.20	-40~+85	60/10	20*30*11.5	ID11
1.435	1.535	JID1435T1535G1	21	0.35	1.22	-30~+70	60/10	20*24.4*12	ID12
1.525	1.559	JID1525T1559G1	25	0.30	1.20	-30~+70	60/10	20*24.4*12	ID12
1.605	1.625	JID1605T1625S1	20	0.40	1.20	-30~+70	60/10	15*16.5*6.6	ID10
1.805	1.880	JID1805T1880S6	25	0.30	1.20	-30~+70	100/60	19*25.4*5.6	ID13
1.805	1.880	JID1805T1880S0	25	0.30	1.20	-30~+70	30/5	19*19*5.6	ID14



1231 Ranch View Court, Buffalo Grove, IL 60089 USA
 Tel: 1 (888) 236-9828 or 1 (630) 930-9917 Fax: 1-630-756-0017
 Website: www.jqlelectronics.com email: sales@jqlelectronics.com

Drop-in Isolators

NARROWBAND DROP-IN ISOLATOR									
FREQUENCY (GHz)		MODEL	ISOLATION	INS LOSS	VSWR	OPERATING	PWR HANDLING	SIZE L*W*H	PACKAGE
F1	F2	NUMBER	(dB) MIN	(dB) MAX	MAX	TEMP(°C)	FWD/REV (W)	(mm)	CODE
1.900	2.030	JID1900T2030S6	25	0.30	1.20	-30~+70	100/60	19*25.4*5.6	ID13
1.900	2.030	JID1900T2030G6	25	0.30	1.20	-30~+70	30/5	19*19*5.6	ID14
1.930	1.990	JID1930T1990S6	25	0.30	1.20	-30~+70	100/60	19*25.4*5.6	ID13
1.930	1.990	JID1930T1990G6	25	0.30	1.20	-30~+70	30/5	19*19*5.6	ID14
1.960	2.170	JID1960T2170G6	20	0.40	1.20	-30~+70	30/5	20*24.2*12	ID12
2.070	2.140	JID2070T2140S6	25	0.30	1.20	-30~+70	100/60	19*25.4*5.6	ID13
2.070	2.140	JID2070T2140G6	25	0.30	1.20	-30~+70	30/5	19*19*5.6	ID14
2.095	2.185	JID2095T2185S6	25	0.30	1.20	-30~+70	100/60	19*25.4*5.6	ID13
2.095	2.185	JID2095T2185G6	25	0.30	1.20	-30~+70	30/5	19*19*5.6	ID14
2.100	2.300	JID2100T2300G1	25	0.30	1.20	-30~+70	60/10	20*30*11.5	ID11
2.100	2.300	JID2100T2300G1-B	23	0.30	1.20	-30~+70	60/10	18*25*10	ID16
2.150	2.350	JID2150T2350G1-B	23	0.30	1.20	-30~+70	60/10	18*25*10	ID16
2.200	2.300	JID2200T2300G1	23	0.30	1.20	-30~+70	60/10	18*25*10	ID16
2.300	2.700	JID2300T2700G2	20	0.40	1.20	-30~+70	100/25	25*30*11.5	ID15
2.365	2.435	JID2365T2435S1	23	0.30	1.20	-30~+70	60/10	19*19*5.6	ID14
2.415	2.485	JID2415T2485S1	23	0.30	1.20	-30~+70	60/10	19*19*5.6	ID14
2.500	2.700	JID2500T2700G2	25	0.30	1.20	-30~+70	100/25	25*30*11.5	ID15
2.500	2.700	JID2500T2700G1	23	0.30	1.20	-30~+70	60/10	18*25*10	ID16
2.700	2.900	JID2700T2900G1	23	0.30	1.20	-30~+70	60/10	18*25*10	ID16
2.800	3.300	JID2800T3300G1	20	0.60	1.25	-30~+70	60/10	25*30*11.5	ID15
2.850	3.550	JID2850T3550G1	22	0.40	1.20	-15~+50	60/10	25*30*11.5	ID15
2.900	3.100	JID2900T3100G1	23	0.40	1.20	-30~+70	60/10	25*30*11.5	ID15
3.000	3.500	JID3000T3500G1	20	0.50	1.25	-30~+70	30/10	19*19*7.7	ID17
3.100	3.500	JID3100T3500G0	20	0.50	1.20	-55~+85	30/1	19*19*7.7	ID17
3.400	3.700	JID3400T3700G1	25	0.30	1.20	-40~+75	30/10	16*26*10.5	ID19
3.400	3.800	JID3400T3800G0	20	0.50	1.20	-55~+85	30/1	19*19*7.7	ID17
3.400	3.900	JID3400T3900G1	20	0.50	1.20	-30~+70	30/10	19*19*7.7	ID17
3.500	3.800	JID3500T3800G1	23	0.30	1.20	-30~+70	30/10	19*19*7.7	ID17
3.600	4.200	JID3600T4200G1	23	0.40	1.20	-40~+75	30/10	16*26*10.5	ID19
3.700	4.200	JID3700T4200G1-B	20	0.50	1.25	-40~+75	30/10	19*19*7.7	ID17
3.700	4.200	JID3700T4200G1	23	0.40	1.20	-40~+75	30/10	16*26*10.5	ID19
3.700	4.300	JID3700T4300G1	23	0.40	1.20	-40~+75	30/10	16*26*10.5	ID19
4.200	4.400	JID4200T4400G1	25	0.30	1.20	-40~+75	20/10	10*18*8	ID20
4.400	5.000	JID4400T5000G1	23	0.40	1.20	-40~+75	20/10	12*20*6	ID21
4.500	4.700	JID4500T4700G1	25	0.30	1.20	-40~+75	20/10	10*18*8	ID20
4.750	5.250	JID4750T5250G1	23	0.40	1.20	-40~+75	20/10	12*20*6	ID21
5.150	5.650	JID5150T5650G1	23	0.40	1.20	-40~+75	20/10	12*20*6	ID21
5.400	5.900	JID5400T5900G1	23	0.40	1.20	-40~+75	20/10	12*20*6	ID21
5.845	6.425	JID5845T6425G1	23	0.40	1.20	-40~+75	20/10	12*20*6	ID21
5.900	6.400	JID5900T6400G1	23	0.40	1.20	-40~+75	20/10	12*20*6	ID21
6.600	7.300	JID6600T7300G1	23	0.40	1.20	-40~+75	20/10	12*20*6	ID21
6.900	7.600	JID6900T7600G1	23	0.40	1.20	-40~+75	20/10	12*20*6	ID21
7.000	7.500	JID7000T7500G0	23	0.40	1.20	-40~+75	15/5	8.9*15*7.8	ID05
7.000	7.500	JID7000T7500G1	23	0.40	1.20	-40~+75	20/10	12*20*9.5	ID22
7.000	7.700	JID7000T7700G0	23	0.40	1.20	-40~+75	15/5	8.9*15*7.8	ID05
7.000	7.700	JID7000T7700G1	23	0.40	1.20	-40~+75	20/10	12*20*9.5	ID22



JQL ELECTRONICS INC.

1-888-236-9828 (USA)

1-630-930-9917 (International)

sales@jqlelectronics.com

Drop-in Isolators

NARROWBAND DROP-IN ISOLATOR									
FREQUENCY (GHz)		MODEL	ISOLATION	INS LOSS	VSWR	OPERATING	PWR HANDLING	SIZE L*W*H	PACKAGE
F1	F2	NUMBER	(dB) MIN	(dB) MAX	MAX	TEMP(°c)	FWD/REV (W)	(mm)	CODE
7.100	7.700	JID7100T7700G0	23	0.40	1.20	-40~+75	15/5	8.9*15*7.8	ID05
7.100	7.700	JID7100T7700G1	23	0.40	1.20	-40~+75	20/10	12*20*9.5	ID22
7.125	7.875	JID7125T7875G0	23	0.40	1.20	-40~+75	15/5	8.9*15*7.8	ID05
7.125	7.875	JID7125T7875G1	23	0.40	1.20	-40~+75	20/10	12*20*9.5	ID22
7.500	8.400	JID7500T8400G0	23	0.40	1.20	-40~+75	15/5	8.9*15*7.8	ID05
7.500	8.400	JID7500T8400G1	23	0.40	1.20	-40~+75	20/10	12*20*9.5	ID22
7.800	8.600	JID7800T8600G0	23	0.40	1.20	-40~+75	15/5	8.9*15*7.8	ID05
7.800	8.600	JID7800T8600G1	23	0.40	1.20	-40~+75	20/10	12*20*9.5	ID22
8.000	8.500	JID8000T8500G0	23	0.40	1.20	-40~+75	15/5	8.9*15*7.8	ID05
8.000	8.500	JID8000T8500G1	23	0.40	1.20	-40~+75	20/10	12*20*9.5	ID22
8.600	9.600	JID8600T9600G0	23	0.40	1.20	-40~+75	15/5	8.9*15*7.8	ID05
8.600	9.600	JID8600T9600G1	23	0.40	1.20	-40~+75	20/10	12*20*9.5	ID22
9.200	9.900	JID9200T9900G0-B	23	0.40	1.20	-40~+75	15/5	8.9*15*7.8	ID05
9.200	9.900	JID9200T9900G0	23	0.50	1.20	-40~+75	15/5	8.9*15*5.6	ID06
9.200	9.900	JID9200T9900G1	23	0.40	1.20	-40~+75	20/10	12*20*9.5	ID22
9.500	10.500	JID9500T10K5G0-B	23	0.40	1.20	-40~+75	15/5	8.9*15*7.8	ID05
9.500	10.500	JID9500T10K5G0	23	0.50	1.20	-40~+75	15/5	8.9*15*5.6	ID06
9.500	10.500	JID9500T10K5G1	23	0.40	1.20	-40~+75	20/10	12*20*9.5	ID22
10.400	11.300	JID10K4T11K3G0-B	23	0.40	1.20	-40~+75	15/5	8.9*15*7.8	ID05
10.400	11.300	JID10K4T11K3G0	23	0.50	1.20	-40~+75	15/5	8.9*15*5.6	ID06
10.400	11.300	JID10K4T11K3G1	23	0.40	1.20	-40~+75	20/10	12*20*9.5	ID22
10.700	11.950	JID10K7T12KG0-B	23	0.40	1.20	-40~+75	15/5	8.9*15*7.8	ID05
10.700	11.950	JID10K7T12KG0	23	0.50	1.20	-40~+75	15/5	8.9*15*5.6	ID06
10.700	11.950	JID10K7T12KG1	23	0.40	1.20	-40~+75	20/10	12*20*9.5	ID22
10.750	12.800	JID10K7T12K8G0	23	0.40	1.20	-40~+75	15/5	8.9*15*7.8	ID05
10.750	12.800	JID10K7T12K8G0	23	0.50	1.20	-40~+75	15/5	8.9*15*5.6	ID06
10.750	12.800	JID10K7T12K8G1	23	0.40	1.20	-40~+75	20/10	12*20*9.5	ID22
12.100	12.800	JID12K1T12K8G0	23	0.40	1.20	-40~+75	15/5	8.9*15*7.8	ID05
12.100	12.800	JID12K1T12K8G0	23	0.50	1.20	-40~+75	15/5	8.9*15*5.6	ID06
12.100	12.800	JID12K1T12K8G1	23	0.40	1.20	-40~+75	20/10	12*20*9.5	ID22
12.700	13.500	JID12KT13K5G0	23	0.40	1.20	-40~+75	15/5	8.9*15*7.8	ID05
12.700	13.500	JID12KT13K5G0	23	0.50	1.20	-40~+75	15/5	8.9*15*5.6	ID06
12.700	13.500	JID12KT13K5G1	23	0.40	1.20	-40~+75	20/10	12*20*9.5	ID22
13.750	14.500	JID13K75T14K5G2	22	0.35	1.20	-40~+75	20/15	12*20*9.5	ID22
17.200	17.900	JID17K2T17K9G0	23	0.40	1.20	-40~+75	15/5	8.9*15*7.8	ID05
17.200	17.900	JID17K2T17K9G0	23	0.50	1.20	-40~+75	15/5	8.9*15*5.6	ID06
17.200	17.900	JID17K2T17K9G1	23	0.40	1.20	-40~+75	20/10	12*20*9.5	ID22
17.300	18.100	JID17K3T18K1G0	23	0.40	1.20	-40~+75	15/5	8.9*15*7.8	ID05
17.300	18.100	JID17K3T18K1G0	23	0.50	1.20	-40~+75	15/5	8.9*15*5.6	ID06
17.300	18.100	JID17K3T18K1G1	23	0.40	1.20	-40~+75	20/10	12*20*9.5	ID22



1231 Ranch View Court, Buffalo Grove, IL 60089 USA
 Tel: 1 (888) 236-9828 or 1 (630) 930-9917 Fax: 1-630-756-0017
 Website: www.jqlelectronics.com email: sales@jqlelectronics.com

Drop-in Isolators

BROADBAND DROP-IN ISOLATOR

FREQUENCY (GHz)		MODEL	ISOLATION	INS LOSS	VSWR	OPERATING	PWR HANDLING	SIZE L*W*H	PACKAGE
F1~F2 GHz		NUMBER	(dB) MIN	(dB) MAX	MAX	TEMP(°c)	FWD/REV (W)	(mm)	CODE
2.000	4.000	JID2000T4000G1	18	0.60	1.40	0~+60	10/10	31.7*31.7*11.6	ID18

DUAL JUNCTION DROP-IN ISOLATOR

FREQUENCY (GHz)		MODEL	ISOLATION	INS LOSS	VSWR	OPERATING	PWR HANDLING	SIZE L*W*H	PACKAGE
F1	F2	NUMBER	(dB) MIN	(dB) MAX	MAX	TEMP(°c)	FWD/REV (W)	(mm)	CODE
0.800	0.900	JI2D0800T0900S6	40	0.70	1.25	-30~+70	100/60	55.1*31.7*6.8	ID23
0.811	0.821	JI2D0811T0821S6	50	0.50	1.20	-30~+70	100/60	55.1*31.7*6.8	ID23
0.850	0.875	JI2D0850T0875S6	50	0.50	1.20	-30~+70	100/60	55.1*31.7*6.8	ID23
0.856	0.866	JI2D0856T0866S6	50	0.50	1.20	-30~+70	100/60	55.1*31.7*6.8	ID23
0.858	0.878	JI2D0858T0878S6	50	0.50	1.20	-30~+70	100/60	55.1*31.7*6.8	ID23
0.860	0.872	JI2D0860T0872S6	50	0.50	1.20	-30~+70	100/60	55.1*31.7*6.8	ID23
0.860	0.960	JI2D0860T0960S6	40	0.70	1.25	-30~+70	100/60	55.1*31.7*6.8	ID23
0.869	0.894	JI2D0869T0894G6	50	0.50	1.20	-30~+70	100/60	55.1*31.7*6.8	ID23
0.890	0.915	JI2D0890T0915S6	50	0.50	1.20	-30~+70	100/60	55.1*31.7*6.8	ID23
0.902	0.928	JI2D0902T0928S6	50	0.50	1.20	-30~+70	100/60	55.1*31.7*6.8	ID23
0.920	0.960	JI2D0920T0960S6	40	0.60	1.20	-30~+70	100/60	55.1*31.7*6.8	ID23
0.925	0.960	JI2D0925T0960G6	50	0.50	1.20	-30~+70	100/60	55.1*31.7*6.8	ID23
0.935	0.960	JI2D0935T0960S6	50	0.50	1.20	-30~+70	100/60	55.1*31.7*6.8	ID23
0.950	0.956	JI2D0950T0956S6	50	0.50	1.20	-30~+70	100/60	55.1*31.7*6.8	ID23
1.710	1.730	JI2D1710T1730S6	50	0.50	1.20	-30~+70	100/60	50*33.4*12	ID24
1.805	1.825	JI2D1805T1825S6	50	0.50	1.20	-30~+70	100/60	50*33.4*12	ID24
1.805	1.880	JI2D1805T1880S6	40	0.70	1.25	-30~+70	100/60	50*33.4*12	ID24
1.930	1.990	JI2D1930T1990S6	50	0.50	1.20	-30~+70	100/60	50*33.4*12	ID24
2.110	2.170	JI2D2110T2170S6	50	0.50	1.20	-30~+70	100/60	50*33.4*12	ID24
2.400	2.500	JI2D2400T2500S6	40	0.70	1.25	-30~+70	100/60	50*33.4*12	ID24

SELECT-A-FREQUENCY DROP-IN ISOLATOR

FREQUENCY (GHz)		BANDWIDTH	ISOLATION	INS LOSS	VSWR	OPERATING	PWR HANDLING
F1	F2	UP TO	(dB) MIN	(dB) MAX	MAX	TEMP(°c)	FWD/REV (W)
0.380	1.000	30MHz	25	0.30	1.20	-15~+60	100/60
0.380	1.000	30MHz	25	0.40	1.20	-15~+60	150/150
0.700	1.000	30MHz	23	0.35	1.20	-30~+70	100/60
0.800	1.200	25MHz	25	0.30	1.20	-30~+70	100/60
0.800	1.200	70MHz	23	0.30	1.20	-30~+70	100/60
0.800	1.200	200MHz	20	0.40	1.25	-30~+70	100/60
1.000	2.400	70MHz	23	0.30	1.20	-30~+70	100/60
1.000	2.400	200MHz	20	0.40	1.25	-30~+70	100/60
2.000	3.500	200MHz	25	0.30	1.20	-30~+70	100/60
2.000	3.500	400MHz	20	0.40	1.20	-30~+70	100/60
3.000	8.000	300MHz	25	0.30	1.20	-30~+70	25/10
3.000	8.000	600MHz	20	0.40	1.20	-30~+70	25/10
7.000	18.000	300MHz	25	0.30	1.20	-30~+70	15/5
7.000	18.000	1000MHz	20	0.40	1.20	-30~+70	15/5

SELECT-A-FREQUENCY DUAL JUNCTION DROP-IN ISOLATOR (HIGH ISOLATION)

FREQUENCY (GHz)		BANDWIDTH	ISOLATION	INS LOSS	VSWR	OPERATING	PWR HANDLING
F1	F2	UP	(dB) MIN	(dB) MAX	MAX	TEMP(°c)	FWD/REV (W)
0.800	1.800	25MHz	50	0.50	1.20	-30~+70	100/60
1.700	2.500	70MHz	40	0.60	1.25	-30~+70	100/60
3.500	6.500	300MHz	50	0.50	1.20	-30~+70	25/10
5.000	7.000	100MHz	50	0.50	1.20	-30~+70	15/5
7.000	18.000	500MHz	50	0.50	1.20	-30~+70	15/5

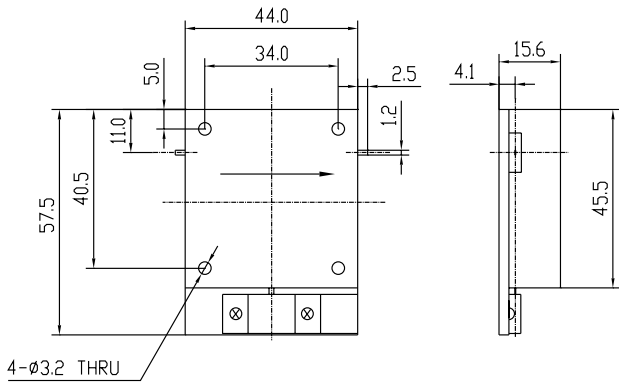
JQL offers customized products for specific application and frequency. Please call JQL sales engineers for details.



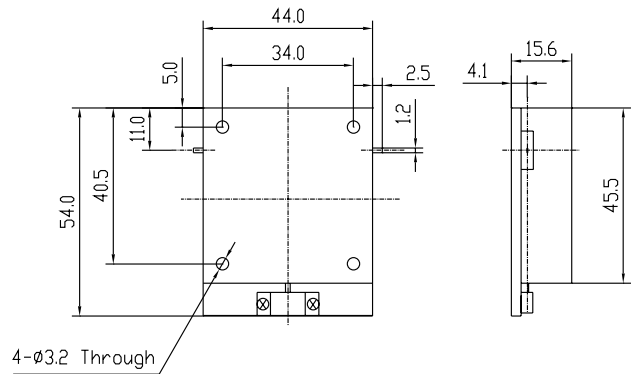
JQL ELECTRONICS INC.

1-888-236-9828 (USA) 1-630-930-9917 (International) sales@jqlelectronics.com

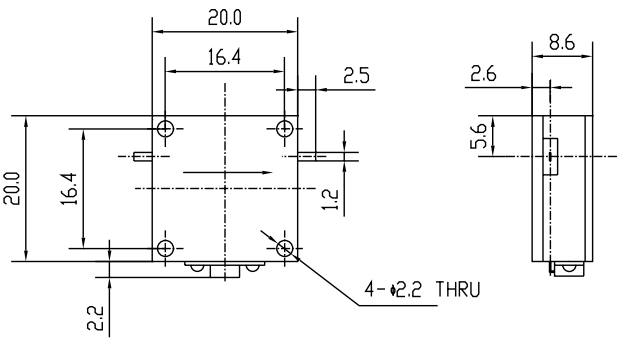
Drop-in Isolators



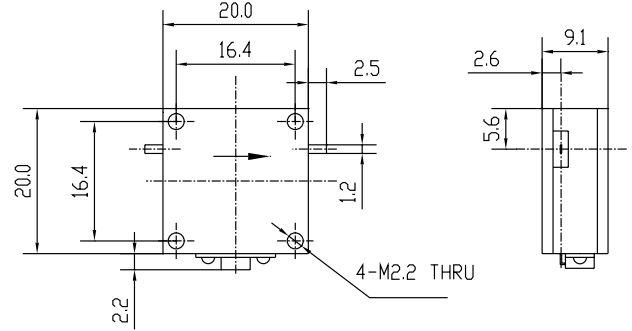
ID01- DROP-IN ISOLATOR



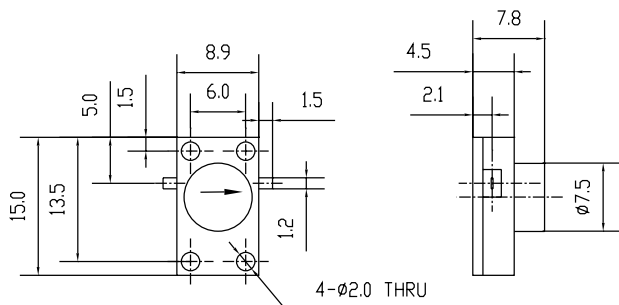
ID02- DROP-IN ISOLATOR



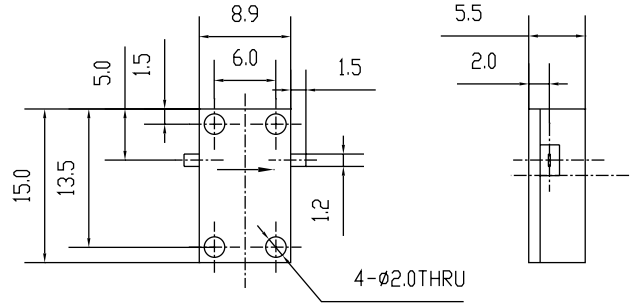
ID03- DROP-IN ISOLATOR



ID04- DROP-IN ISOLATOR



ID05- DROP-IN ISOLATOR

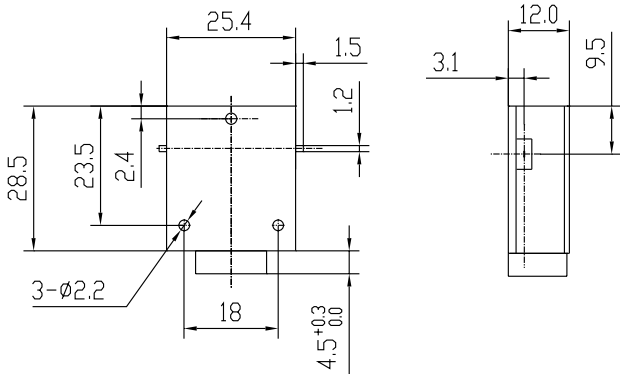


ID06- DROP-IN ISOLATOR

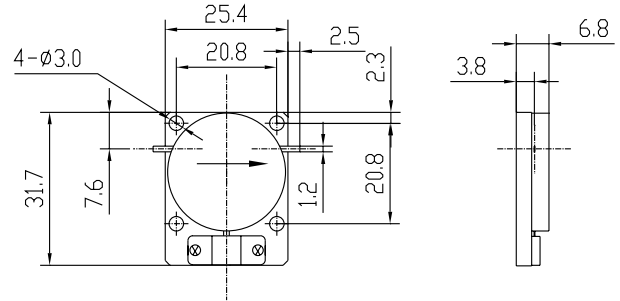


1231 Ranch View Court, Buffalo Grove, IL 60089 USA
 Tel: 1 (888) 236-9828 or 1 (630) 930-9917 Fax: 1-630-756-0017
 Website: www.jqlelectronics.com email: sales@jqlelectronics.com

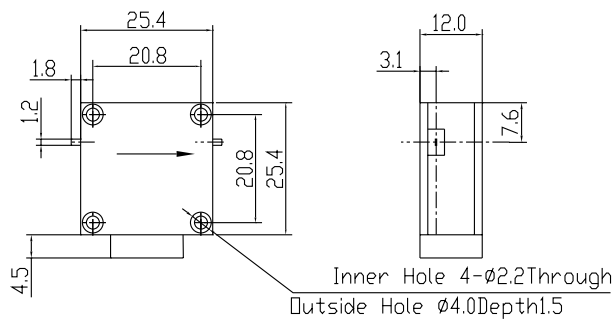
Drop-in Isolators



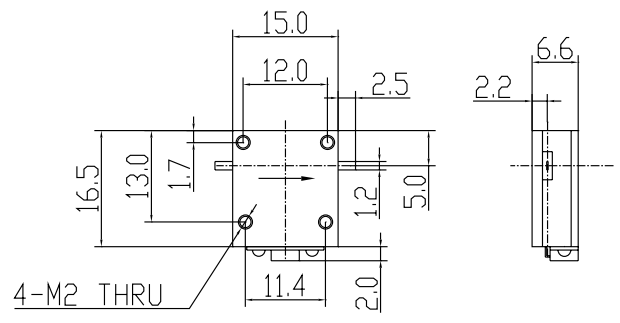
ID07- DROP-IN ISOLATOR



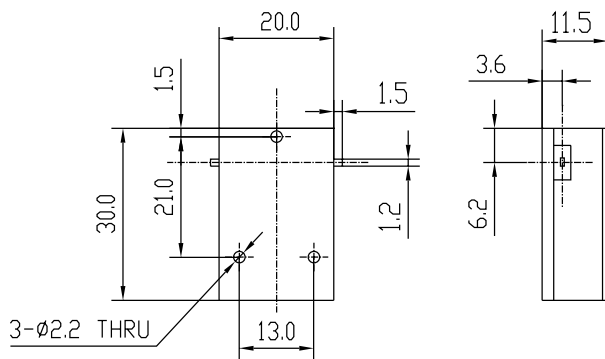
ID08- DROP-IN ISOLATOR



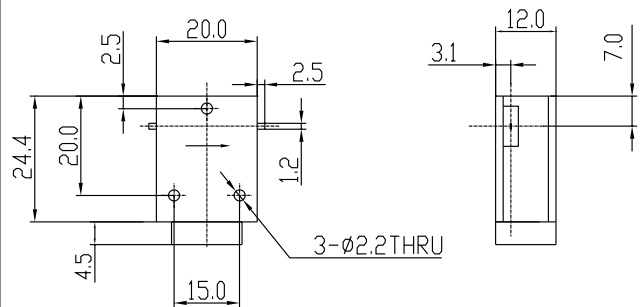
ID09- DROP-IN ISOLATOR



ID10- DROP-IN ISOLATOR



ID11- DROP-IN ISOLATOR



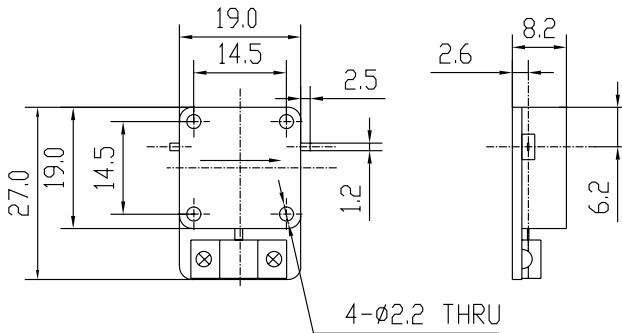
ID12- DROP-IN ISOLATOR



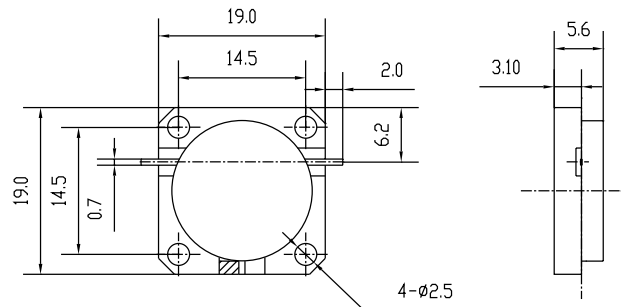
JQL ELECTRONICS INC.

1-888-236-9828 (USA) 1-630-930-9917 (International) sales@jqlelectronics.com

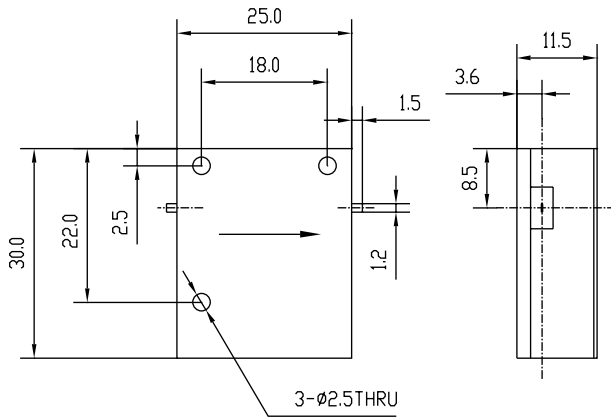
Drop-in Isolators



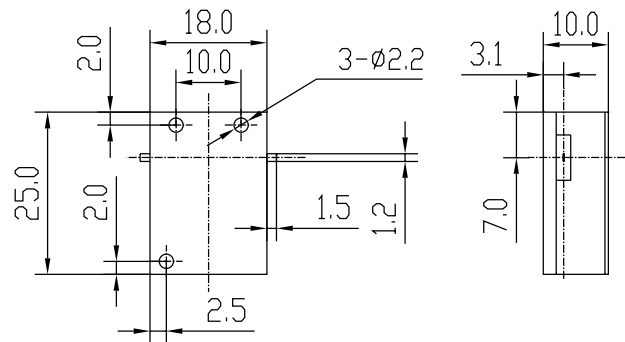
ID13- DROP-IN ISOLATOR



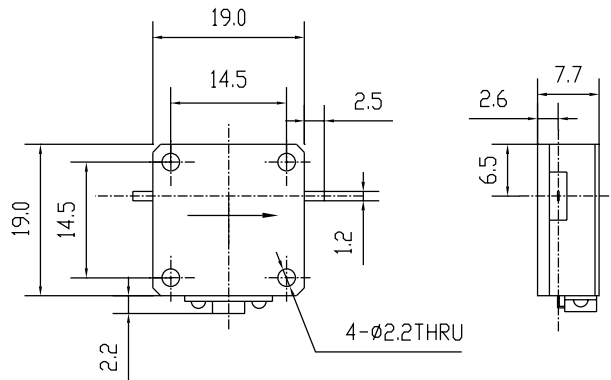
ID14- DROP-IN ISOLATOR



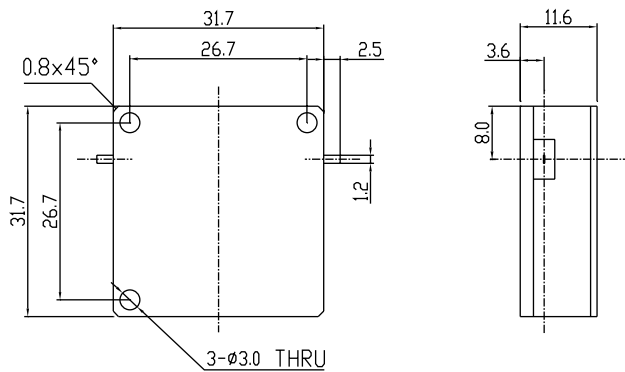
ID15- DROP-IN ISOLATOR



ID16- DROP-IN ISOLATOR



ID17- DROP-IN ISOLATOR

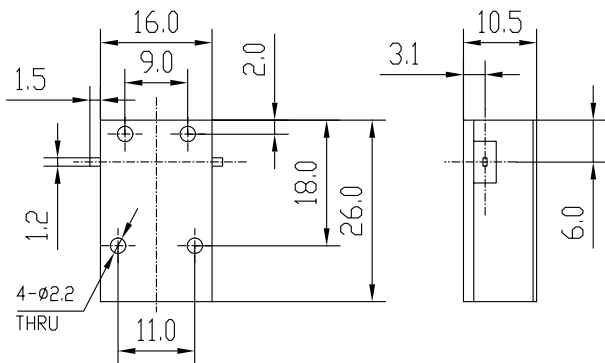


ID18- DROP-IN ISOLATOR

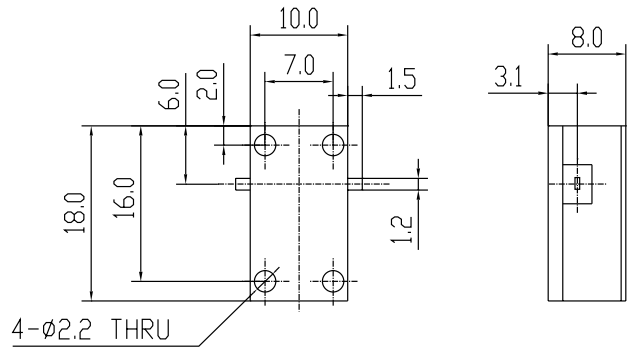


1231 Ranch View Court, Buffalo Grove, IL 60089 USA
 Tel: 1 (888) 236-9828 or 1 (630) 930-9917 Fax: 1-630-756-0017
 Website: www.jqlelectronics.com email: sales@jqlelectronics.com

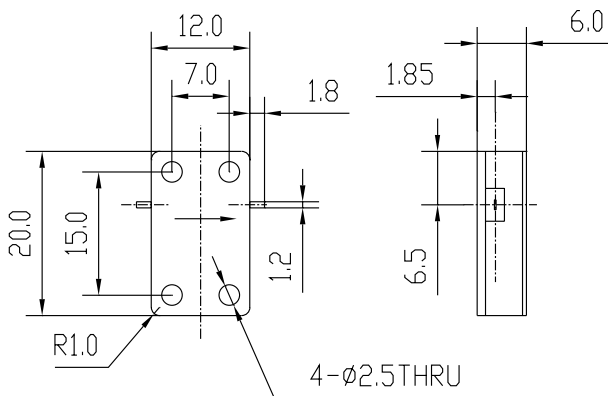
Drop-in Isolators



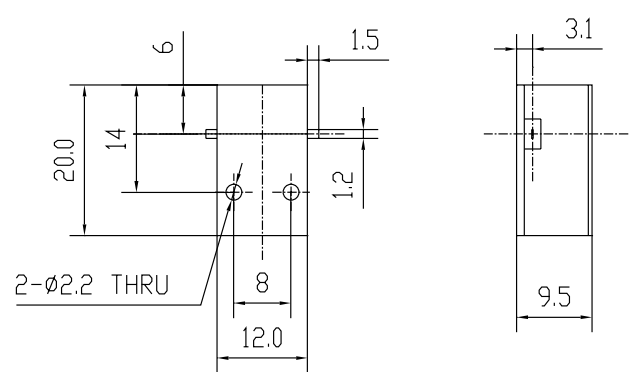
ID19- DROP-IN ISOLATOR



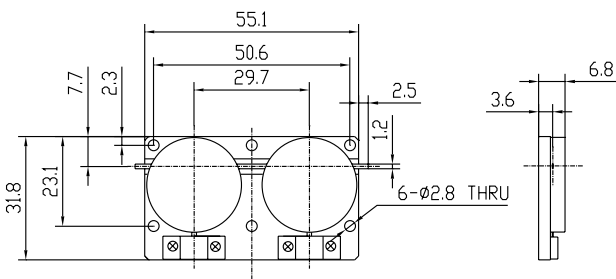
ID20- DROP-IN ISOLATOR



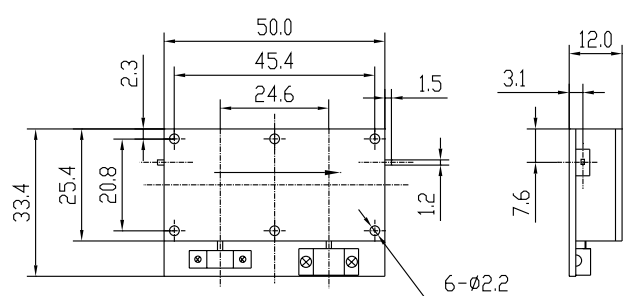
ID21- DROP-IN ISOLATOR



ID22- DROP-IN ISOLATOR



ID23- DROP-IN ISOLATOR

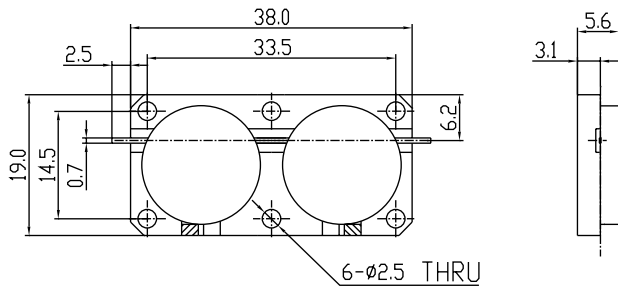


ID24- DROP-IN ISOLATOR



JQL ELECTRONICS INC.

1-888-236-9828 (USA) 1-630-930-9917 (International) sales@jqlelectronics.com



ID25- DROP-IN ISOLATOR